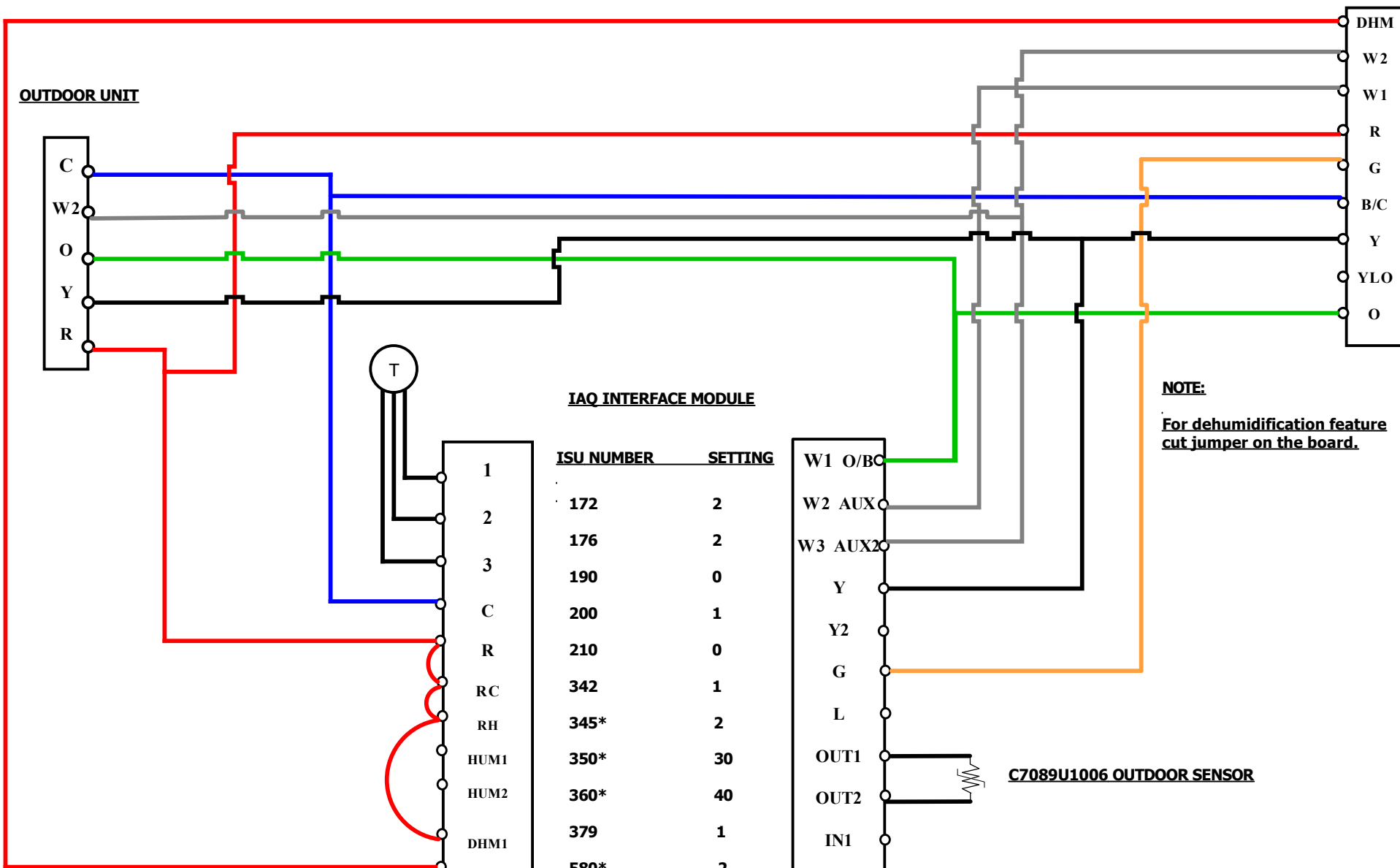


**INDOOR UNIT**

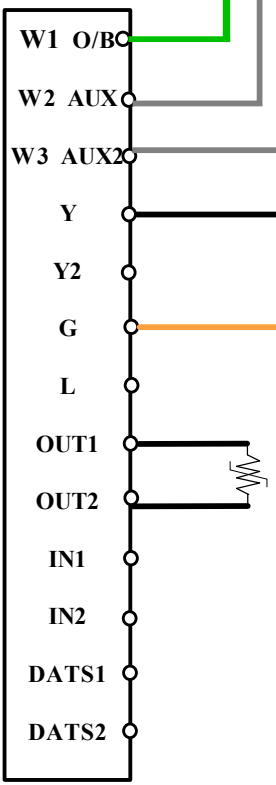
**OUTDOOR UNIT**



**IAQ INTERFACE MODULE**

ISU NUMBER	SETTING
172	2
176	2
190	0
200	1
210	0
342	1
345*	2
350*	30
360*	40
379	1
580*	2

**NOTES:**  
 \*Indicates user preference  
 Other paramaters selected as needed



**C7089U1006 OUTDOOR SENSOR**

**NOTE:**  
 For dehumidification feature cut jumper on the board.

Title: <b>GOODMAN VARIABLE SPEED 3H/1C HEAT PUMP WITH VISION PRO IAQ</b>	
Author:	
Date:	Sheet: <b>1 OF 1</b>
Revision: <b>12.08</b>	