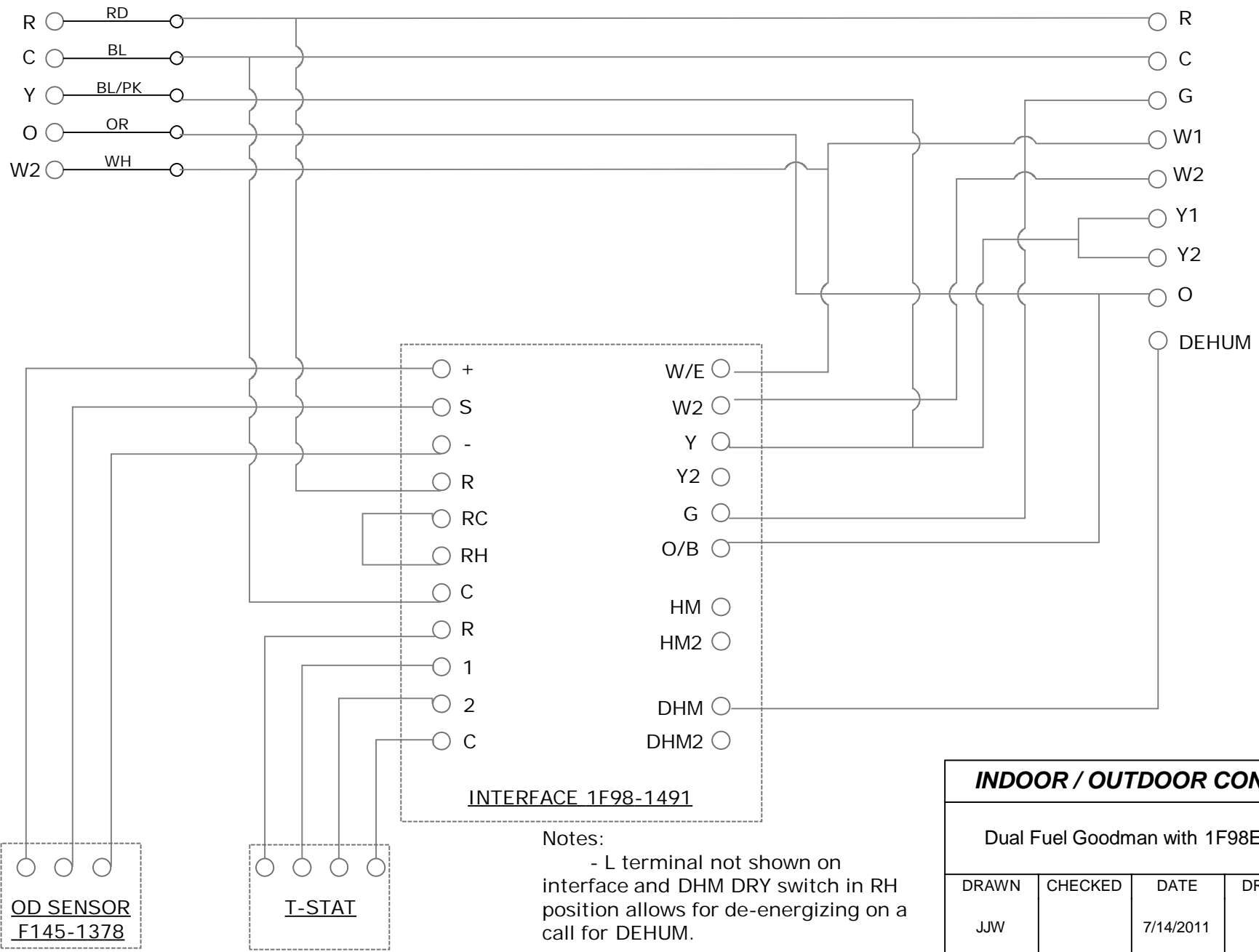


OUTDOOR UNIT

INDOOR UNIT



Notes:
 - L terminal not shown on interface and DHM DRY switch in RH position allows for de-energizing on a call for DEHUM.

INDOOR / OUTDOOR CONTROL

Dual Fuel Goodman with 1F98EZ-1441

DRAWN	CHECKED	DATE	DRAWING NO.
JJW		7/14/2011	