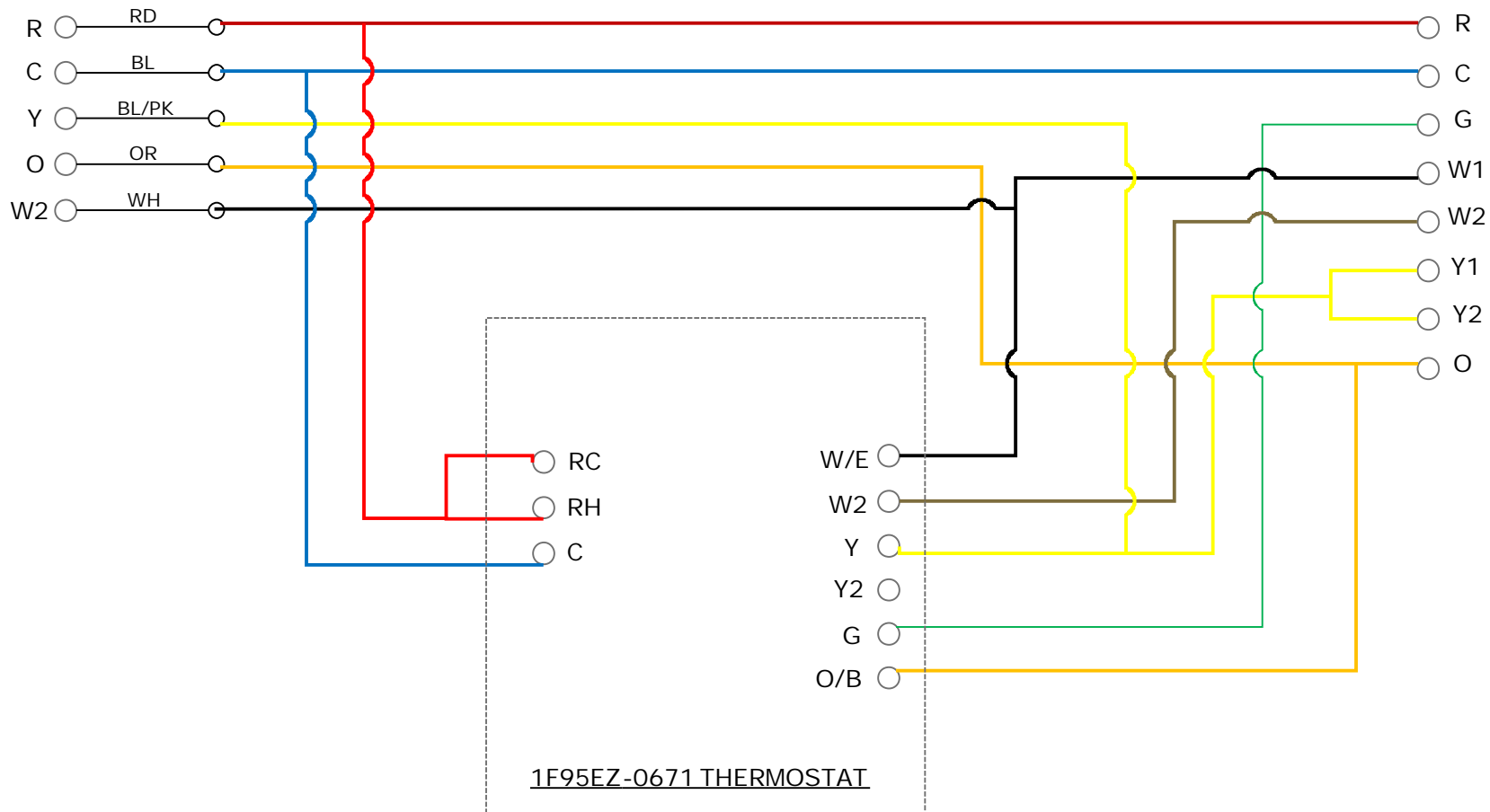


SSZ16

GMVC95



Notes:

- SET DF SETTING INITIALLY TO 5.
- L TERMINAL NOT SHOWN (COMFORT ALERT INDICATOR)
- MENU #1 = HP1 OR HP2
- MENU #19 = dF SHOULD BE INITIALLY SET TO 5

INDOOR / OUTDOOR CONTROL

Dual Fuel Goodman with 1F95EZ-0671

DRAWN	CHECKED	DATE	DRAWING NO.
JJW		9/19/2012	